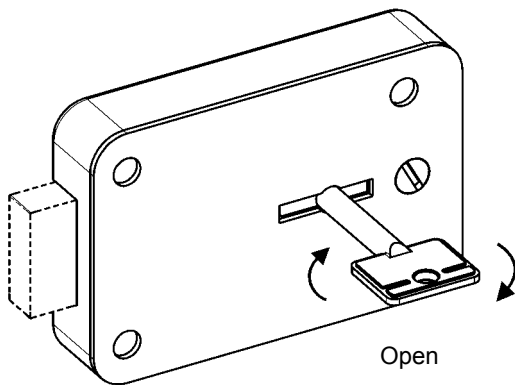


# Operating Instructions



## Type 4.19.92, VDS I / EN 1300 A



You can find information on the installation of the lock in the special installation instructions.

### Open

Insert key up to the stop on the key pin. The lock is opened by turning the key clockwise about 130°.

The key is only to be used for actuating the lock. If the key is used as a type of handle for opening the doors we wish to advise that only a limited amount of operating force can be absorbed by the key and that if the key is overloaded there is a risk of breakage.

### Closing

Closing takes place in the reverse sequence to opening. In other words by turning it anticlockwise by about 130°.

### Safety advice

The key should always be removed after locking so that it is not available to unauthorised people.

The key should always be kept in a safe place.

Locks, which have been tested according to VDS 2396 or EN 1300, are basically locks with different closing mechanisms.

If the key is lost the lock must immediately be exchanged.

### Maintenance

This type of lock is maintenance-free. It is therefore important to remember that no form of lubrication is to be carried out.

Careful treatment of the key as well as carrying and keeping it separately will increase the service life of both key and locking mechanism.